

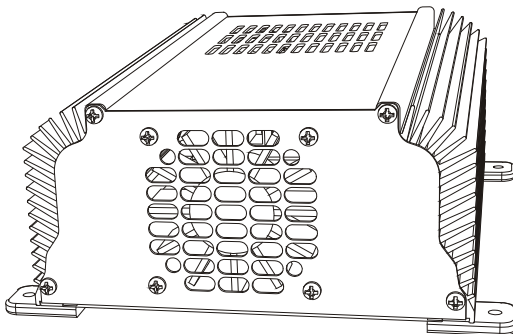
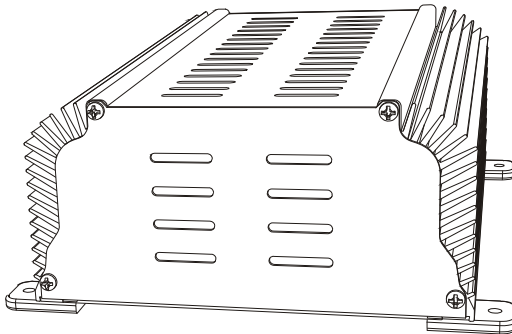
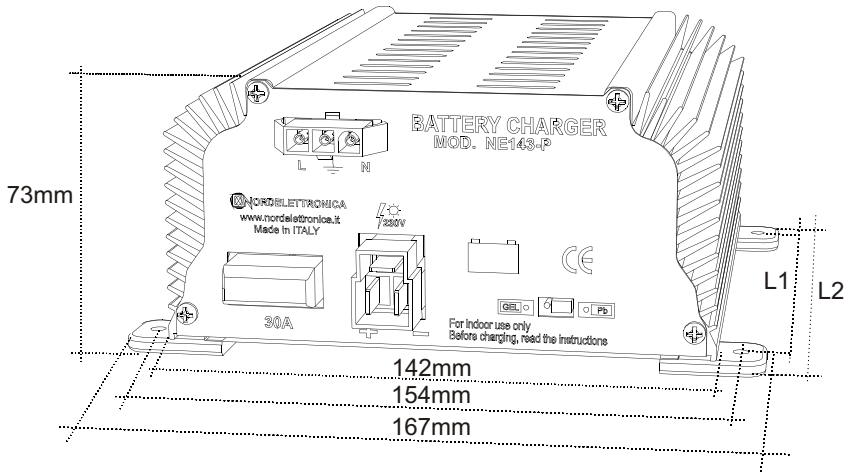


# BATTERY CHARGER

NE143-P 250W

NE143-P 300W

**GB** INSTRUCTIONS MANUAL



Read the instructions carefully before charging. For internal use only/Do not expose to the weather

#### DESCRIPTION:

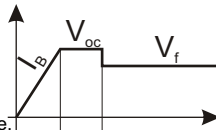
NE143-P is a charger for gel and lead acid batteries. The batteries should have a nominal voltage of 12V and a capacity of no less to the rating indicated on table below.

#### OPERATION:

The battery charger uses a combination of constant current CC and constant voltage TC. This makes it possible to significantly reduce charging time and prevents permanent damage to the batterie.

The battery charger starts charging with CC current until the battery reaches a voltage value of  $V_{oc}$  when it commutes to TC operation. At this stage the device provides constant voltage of  $V_{oc}/V_f$ , the charging voltage gradually decreases and the battery can be left permanently connected to the charger with no risk of damage.

When battery charging is activated the power supply immediately provides the necessary voltage, so that the battery does not discharge (this is true if the charging voltage is lower than the maximum voltage available from the power supply, otherwise the battery will discharge in any case with voltage equal to the difference  $(I_{CHARGE} - I_{BATTERY\ CHARGE})$ ).



#### CHARGING PROFILES:

Use the switch located on the front panel to choose the charging profile according to the type of battery to be recharged.

#### ATTENTION:

- Keep the battery charger in a dry well-aired place.
- Always switch off the 230V power supply before carrying out maintenance.
- Do not to obstruct the air inlet ones placed on the cover
- Do not try to re-charge non-rechargeable batteries.
- Disconnect the power supply before connecting or disconnecting the battery connection.
- Lead-acid storage batteries produce internal explosive gasses when re-charging: take care not to cause flames or sparks and place the batteries in a well-aired place.

- If the power supply wire or connection clamps to the battery are damaged, replace them with similar items provided by the manufacturer or after-sales service.
- Before connecting the battery charger power supply to a generator, make sure that its 230V output is stabilized.
- Do not cover air intakes
- The guarantee is invalidated by improper use of the battery charger and the manufacturer declines all responsibility for damage to people or things.
- When the internal red LED is ON, it's necessary switch off the main supply to reset the protection

#### TECHNICAL CHARACTERISTICS:

	NE143-P 250W	NE143-P 300W
Input:	230V $\pm 20\%$ 50/60Hz 1,9A	230V $\pm 20\%$ 50/60Hz 2,2A
Maximum power:	250W	300W
Maximum current output ( $I_b$ ):	17A continuous	21A continuous
Connected battery capacity:	no less than 50Ah 12V	no less than 65Ah 12V
End of charging voltage with CC operation:	14,4V GEL   14,7V Pb	
Voltage during TC operation ( $V_{oc}$ ):	14,4V GEL   14,7V Pb	
Maintenance voltage ( $V_f$ ):	13,8V	
Fan with modulated speed:	no	Yes
Remote signal for mains (line)	yes	
Dimension: (see illustration)	L1=145mm L2=170mm	L1=180mm L2=205mm
Weight	1,7Kg	1,9Kg

#### CONNECTIONS:

Input 230V:	Connector JST 3-way female LR-03-1 with terminal female (use Connector JST 3-way male LP-03-1 with terminal male)
Output +/- Batteria and Line:	Connector AMP 'T' 3-way with 6,3mm male terminal faston (use connector AMP 'T' 3-way with 6,3mm female terminal faston)

#### PROTECTION:

Input fuse:	4A 250V delayed (internal fuse)	
Protection against pole inversion	30A car fuse	
Protection against overloading	yes	
Protection against short circuiting	Yes (internal red LED)	
Protection against overvoltage	Yes (internal red LED)	
Protection against overtemperature	No ( optional )	Yes (internal red LED, auto-reset)
Microprocessor check	yes	



31018 Z.I. ALBINA DI GAIARINE (TV)  
Viale Delle Industrie 6A - ITALY  
Tel.+39 0434 759420 - Fax +39 0434754620  
[www.nordelettronica.it](http://www.nordelettronica.it)